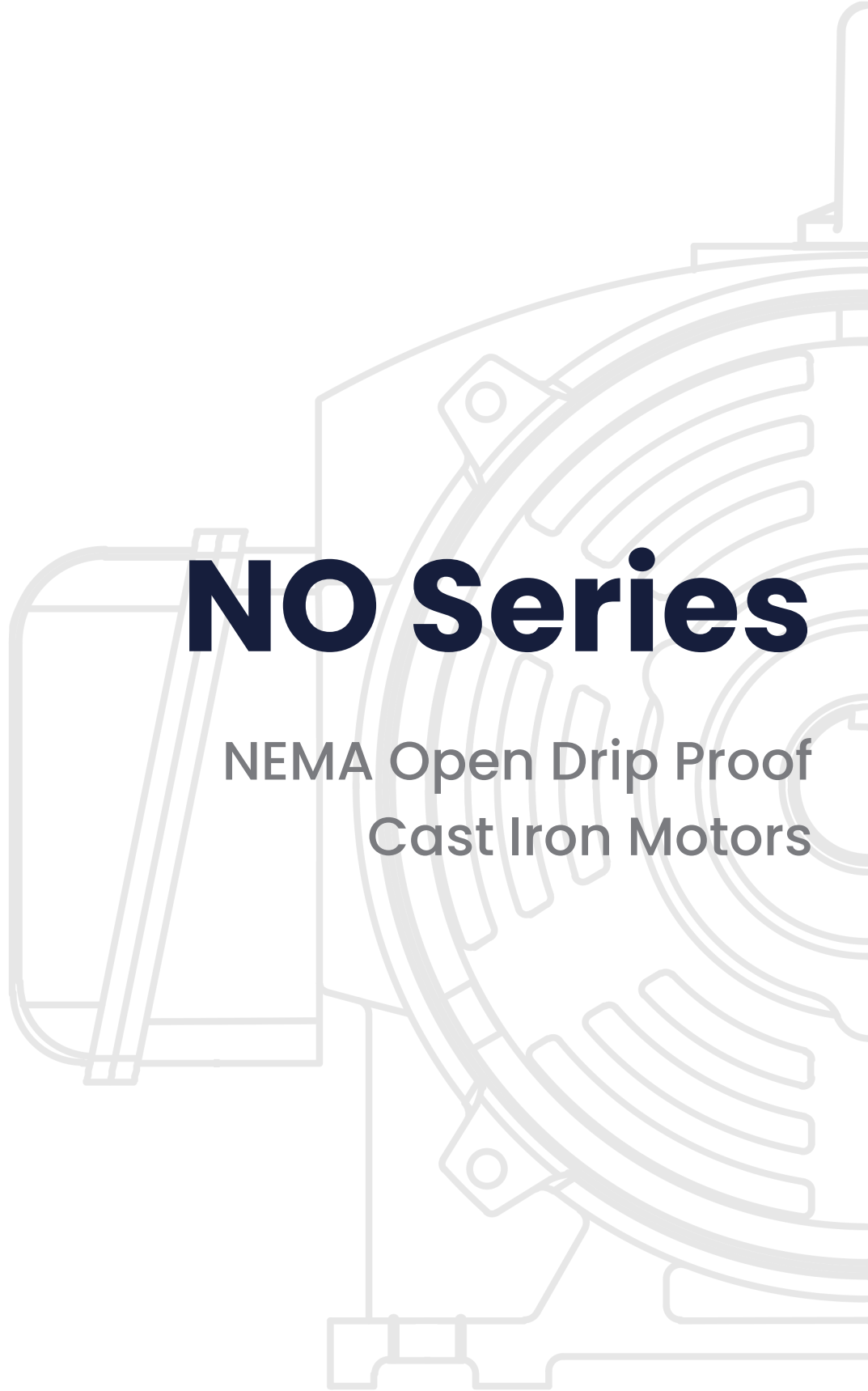


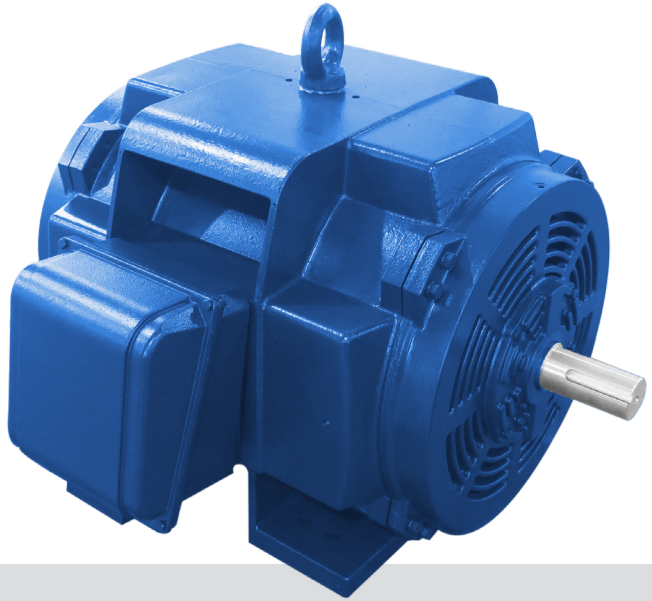
# NO Series

NEMA Open Drip Proof  
Cast Iron Motors



# NO Series

## NEMA Open Drip Proof Cast Iron Motors



NO Series (Inverter Duty) NEMA D Design Open Drip Proof motors comply with NEMA MG-1 standard. NO Series are UL and CSA certificated.

With the vents on the chamber, air is allowed to flow directly through the winding, which keeps a relatively low temperature of winding and offers higher efficiency.

Wonder NO Series are suitable for places free from inflammable, explosive, corrosive gasses and relatively clean. Wonder ODP motors are used to drive a variety of equipment without special performance requirements, such as compressors, machine tools, water pumps, ventilators, blenders, etc.

In dry and clean indoor environment, it is appropriate to choose IP23 electric motors which can offer same output power with smaller volume, reducing the occupation of the device.

These design D torques motors has the characteristics of high slip and high torque, low starting current and full load speed, high efficiency with long lasting performance. Well suited for equipment with very high inertia starts.

### Main Tech Specifications:

- Frame Size: 215T - 444T
- Rated Power: 5-100HP
- Voltage: 230/460V, 460V, or 575 V
- Speed: 1200r/m
- Poles: 6
- Protection Class: IP22, IP23
- Insulation Class: Class F or above
- Continuous Duty: S1
- Ambient Temperature: 104 °F (40°C )
- Altitude: 3300 ft (1000m)

## Technical Specifications-Design A (1/2)

Motor Type	Rated Power	Current	Rated Speed	Power Factor			Efficiency			Locked Current	Rated Torque	Locked Torque/ Rated Torque	Maximum Torque/ Rated Torque	Sound LP	Weight
	HP	A (460v)	r/m	cosφ			η%			A	N.m	T <sub>L</sub> /T <sub>N</sub>	T <sub>b</sub> /T <sub>N</sub>	dB(A)	kg
				50%	75%	100%	50%	75%	100%						
<b>3600min<sup>-1</sup> (2 Pole)</b>															
143	1	1.3	3445	0.64	0.77	0.84	80.9	83.2	83.6	15	2.0	1.95	2.5	71	55
143	1.5	1.9	3445	0.72	0.82	0.87	81.7	84.2	84.2	20	2.0	1.95	2.50	71	57
145	2	2.5	3445	0.73	0.84	0.88	84.7	86.6	86.0	25	4.1	2.20	2.40	71	62
182	3	3.7	3505	0.73	0.83	0.89	85.9	87.7	86.5	32	6.1	2.05	2.30	75	108
184	5	5.8	3505	0.80	0.88	0.92	88.5	89.5	88.5	46	10.2	2.00	2.15	75	117
213	7.5	8.6	3505	0.82	0.89	0.91	88.7	89.8	89.7	63.5	15.2	1.80	2.00	77	194
215	10	11.3	3505	0.84	0.90	0.92	90.0	90.7	90.4	81	20.3	1.85	2.00	77	209
254	15	17.0	3520	0.81	0.88	0.91	89.1	90.8	91.2	116	30.4	1.85	2.00	77	342
256	20	22.4	3515	0.85	0.90	0.92	90.7	91.9	91.2	145	40.5	1.80	2.00	77	348
284	25	28.2	3535	0.84	0.89	0.91	89.9	91.5	91.7	182.5	50.2	1.35	2.00	82	483
286	30	34.1	3525	0.80	0.88	0.90	90.4	92.0	91.7	217.5	60.3	1.60	2.00	82	527
324	40	45.3	3540	0.87	0.80	0.90	90.7	92.3	92.4	290	80.0	1.55	2.00	80	642
326	50	56.1	3550	0.80	0.87	0.90	91.6	93.0	93.0	362.5	100	1.80	2.00	80	697
364	60	67.8	3560	0.78	0.86	0.89	91.4	93.0	93.6	435	120	1.75	2.00	91	847
365	75	83.7	3565	0.88	0.81	0.90	92.4	93.7	93.8	542.5	151	1.50	2.00	91	904
405	100	109.7	3565	0.85	0.90	0.91	92.9	94.0	94.3	725	199	1.30	2.00	92	1266
444	125	137.1	3570	0.81	0.88	0.90	93.0	94.3	95.0	907.5	250	1.40	2.00	92	1641
445	150	163.1	3570	0.84	0.89	0.91	93.5	94.7	95.0	1085	298	1.45	2.00	92	1742
447	200	215.8	3570	0.85	0.90	0.91	94.1	95.2	95.4	1450	399	1.35	2.00	92	2207
449	250	271.6	3575	0.83	0.87	0.90	95.8	95.6	95.8	1825	498	1.10	1.75	93	2379
449	300	329.6	3575	0.81	0.88	0.90	95.7	95.6	95.8	2200	598	1.10	1.75	96	2800
<b>1800min<sup>-1</sup> (4 Pole)</b>															
143	1	1.6	1725	0.48	0.61	0.69	82.1	85.4	85.5	15	4.1	2.75	3.00	60	57
145	1.5	2.2	1720	0.55	0.67	0.75	84.2	86.6	86.5	20	6	2.50	2.80	60	60
145	2	2.8	1720	0.53	0.65	0.76	84.1	86.7	86.5	25	8.1	2.35	2.70	60	64
182	3	3.7	1745	0.68	0.79	0.85	88.6	89.9	89.5	32	12.2	2.25	2.50	62	115
184	5	5.9	1740	0.76	0.84	0.88	90.1	90.6	89.5	46	20.3	2.00	2.25	62	119
213	7.5	9.0	1750	0.70	0.80	0.85	90.4	91.7	91.7	63.5	30.2	1.95	2.15	67	214
215	10	12.0	1745	0.71	0.81	0.85	90.6	91.8	91.7	81	40.7	2.05	2.00	67	221
254	15	17.7	1760	0.72	0.82	0.86	91.1	92.3	92.4	116	60.5	1.80	2.00	68	355
256	20	22.9	1755	0.76	0.84	0.88	92.0	93.0	93.0	145	80.8	1.75	2.00	68	381
284	25	28.1	1765	0.79	0.86	0.89	92.8	93.6	93.6	182.5	101	1.95	2.00	69	518
286	30	33.7	1760	0.79	0.86	0.89	93.2	93.8	93.6	217.5	121	2.05	2.00	69	520
324	40	44.7	1770	0.82	0.88	0.89	93.5	94.3	94.1	290	160	1.80	2.00	74	677
326	50	55.1	1770	0.82	0.88	0.90	93.8	94.6	94.5	362.5	201	1.95	2.00	74	728
364	60	68.0	1775	0.77	0.84	0.87	93.9	94.8	95.0	435	240	2.05	2.00	80	891
365	75	83.7	1775	0.76	0.83	0.88	93.9	94.8	95.4	542.5	300	2.05	2.00	80	957
405	100	111.6	1775	0.79	0.86	0.88	94.4	95.3	95.4	725	400	1.75	2.00	83	1319
444	125	136.4	1780	0.82	0.87	0.90	95.6	95.5	95.4	907.5	499	1.50	2.00	86	1645
445	150	163.0	1780	0.82	0.88	0.90	94.8	95.7	95.8	1085	598	1.50	2.00	86	1773
447	200	214.0	1785	0.83	0.89	0.91	95.2	95.9	96.2	1450	799	1.45	2.00	86	2320
449	250	270.5	1785	0.81	0.89	0.90	95.4	95.8	96.2	1825	998	1.25	1.75	89	2602
449	300	328.2	1785	0.81	0.90	0.89	95.3	95.6	96.2	2200	1198	1.25	1.75	92	2800

## Technical Specifications-Design A (2/2)

Motor Type	Rated Power	Current	Rated Speed	Power Factor			Efficiency			Locked Current	Rated Torque	Locked Torque/ Rated Torque	Maximum Torque/ Rated Torque	Sound LP	Weight
	HP	A (460v)	r/m	cosφ			η%			A	N.m	T <sub>L</sub> /T <sub>N</sub>	T <sub>b</sub> /T <sub>N</sub>	dB(A)	kg
				50%	75%	100%	50%	75%	100%						
1200min <sup>-1</sup> (6 Pole)															
145	1	1.6	1150	0.50	0.62	0.72	81.6	84.3	82.5	15	6.1	2.20	2.65	55	60
182	1.5	2.2	1160	0.54	0.66	0.74	85.4	87.8	87.5	20	9.1	2.05	2.50	56	104
184	2	2.9	1155	0.54	0.67	0.74	85.9	88.3	88.5	25	12.2	2.35	2.40	56	112
213	3	4.2	1170	0.55	0.67	0.75	86.3	88.5	89.5	32	18.2	2.00	2.30	58	198
215	5	6.6	1165	0.61	0.72	0.79	88.4	89.9	89.5	46	30.5	1.90	2.15	58	221
254	7.5	9.4	1170	0.64	0.75	0.82	89.5	91.1	91.2	63.5	45.4	1.90	2.05	60	315
256	10	12.6	1170	0.65	0.76	0.82	90.1	91.3	91.0	81	60.7	2.00	2.00	60	331
284	15	18.7	1170	0.65	0.76	0.82	90.9	92.1	91.7	116	90.4	2.05	2.00	63	456
286	20	24.9	1170	0.66	0.77	0.82	91.4	92.5	91.7	145	121	2.15	2.00	63	490
324	25	30.7	1175	0.65	0.76	0.82	92.1	93.1	93.0	182.5	150	2.10	2.00	64	662
326	30	36.8	1175	0.67	0.77	0.82	92.5	93.4	93.0	217.5	180	2.15	2.00	64	677
364	40	46.3	1180	0.74	0.82	0.86	93.0	94.0	94.1	290	240	2.10	2.00	66	886
365	50	56.6	1180	0.75	0.83	0.88	93.4	94.2	94.3	362.5	301	2.05	2.00	66	904
404	60	68.4	1185	0.75	0.83	0.87	93.6	94.6	94.5	435	361	2.05	2.00	68	1206
405	75	85.4	1185	0.77	0.84	0.87	93.8	94.7	94.5	542.5	452	2.00	2.00	68	1281
444	100	113.3	1185	0.76	0.84	0.87	94.3	95.2	95.0	725	601	1.85	2.00	74	1676
445	125	140.1	1185	0.78	0.85	0.88	94.5	95.3	95.2	907.5	749	1.75	2.00	74	1779
447	150	166.7	1185	0.78	0.85	0.88	94.9	95.7	95.8	1085	900	1.95	2.00	74	2474
449	200	219.7	1185	0.77	0.85	0.89	95.1	95.7	95.8	1450	1202	1.90	2.00	78	2639
449	250	287.6	1185	0.78	0.86	0.85	94.9	95.6	95.8	1825	1503	1.75	1.75	82	2796

## Technical Specifications-Design B (1/2)

Motor Type	Rated Power	Current	Rated Speed	Power Factor			Efficiency			Locked Current	Rated Torque	Locked Torque/ Rated Torque	Maximum Torque/ Rated Torque	Sound LP	Weight
	HP	A (460v)	r/m	cosφ			η%			A	N.m	T <sub>L</sub> /T <sub>N</sub>	T <sub>B</sub> /T <sub>N</sub>	dB(A)	kg
				50%	75%	100%	50%	75%	100%						
<b>3600min<sup>-1</sup> (2 Pole)</b>															
143	1	1.3	3445	0.64	0.77	0.84	80.9	83.2	83.6	15	2.0	1.95	2.5	71	55
143	1.5	1.9	3445	0.72	0.82	0.87	81.7	84.2	84.2	20	2.0	1.95	2.50	71	57
145	2	2.5	3445	0.73	0.84	0.88	84.7	86.6	86.0	25	4.1	2.20	2.40	71	62
182	3	3.7	3505	0.73	0.83	0.89	85.9	87.7	86.5	32	6.1	2.05	2.30	75	108
184	5	5.8	3505	0.80	0.88	0.92	88.5	89.5	88.5	46	10.2	2.00	2.15	75	117
213	7.5	8.6	3505	0.82	0.89	0.91	88.7	89.8	89.7	63.5	15.2	1.80	2.00	77	194
215	10	11.3	3505	0.84	0.90	0.92	90.0	90.7	90.4	81	20.3	1.85	2.00	77	209
254	15	17.0	3520	0.81	0.88	0.91	89.1	90.8	91.2	116	30.4	1.85	2.00	77	342
256	20	22.4	3515	0.85	0.90	0.92	90.7	91.9	91.2	145	40.5	1.80	2.00	77	348
284	25	28.2	3535	0.84	0.89	0.91	89.9	91.5	91.7	182.5	50.2	1.35	2.00	82	483
286	30	34.1	3525	0.80	0.88	0.90	90.4	92.0	91.7	217.5	60.3	1.60	2.00	82	527
324	40	45.3	3540	0.87	0.80	0.90	90.7	92.3	92.4	290	80.0	1.55	2.00	80	642
326	50	56.1	3550	0.80	0.87	0.90	91.6	93.0	93.0	362.5	100	1.80	2.00	80	697
364	60	67.8	3560	0.78	0.86	0.89	91.4	93.0	93.6	435	120	1.75	2.00	91	847
365	75	83.7	3565	0.88	0.81	0.90	92.4	93.7	93.8	542.5	151	1.50	2.00	91	904
405	100	109.7	3565	0.85	0.90	0.91	92.9	94.0	94.3	725	199	1.30	2.00	92	1266
444	125	137.1	3570	0.81	0.88	0.90	93.0	94.3	95.0	907.5	250	1.40	2.00	92	1641
445	150	163.1	3570	0.84	0.89	0.91	93.5	94.7	95.0	1085	298	1.45	2.00	92	1742
447	200	215.8	3570	0.85	0.90	0.91	94.1	95.2	95.4	1450	399	1.35	2.00	92	2207
449	250	271.6	3575	0.83	0.87	0.90	95.8	95.6	95.8	1825	498	1.10	1.75	93	2379
449	300	329.6	3575	0.81	0.88	0.90	95.7	95.6	95.8	2200	598	1.10	1.75	96	2800
<b>1800min<sup>-1</sup> (4 Pole)</b>															
143	1	1.6	1725	0.48	0.61	0.69	82.1	85.4	85.5	15	4.1	2.75	3.00	60	57
145	1.5	2.2	1720	0.55	0.67	0.75	84.2	86.6	86.5	20	6	2.50	2.80	60	60
145	2	2.8	1720	0.53	0.65	0.76	84.1	86.7	86.5	25	8.1	2.35	2.70	60	64
182	3	3.7	1745	0.68	0.79	0.85	88.6	89.9	89.5	32	12.2	2.25	2.50	62	115
184	5	5.9	1740	0.76	0.84	0.88	90.1	90.6	89.5	46	20.3	2.00	2.25	62	119
213	7.5	9.0	1750	0.70	0.80	0.85	90.4	91.7	91.7	63.5	30.2	1.95	2.15	67	214
215	10	12.0	1745	0.71	0.81	0.85	90.6	91.8	91.7	81	40.7	2.05	2.00	67	221
254	15	17.7	1760	0.72	0.82	0.86	91.1	92.3	92.4	116	60.5	1.80	2.00	68	355
256	20	22.9	1755	0.76	0.84	0.88	92.0	93.0	93.0	145	80.8	1.75	2.00	68	381
284	25	28.1	1765	0.79	0.86	0.89	92.8	93.6	93.6	182.5	101	1.95	2.00	69	518
286	30	33.7	1760	0.79	0.86	0.89	93.2	93.8	93.6	217.5	121	2.05	2.00	69	520
324	40	44.7	1770	0.82	0.88	0.89	93.5	94.3	94.1	290	160	1.80	2.00	74	677
326	50	55.1	1770	0.82	0.88	0.90	93.8	94.6	94.5	362.5	201	1.95	2.00	74	728
364	60	68.0	1775	0.77	0.84	0.87	93.9	94.8	95.0	435	240	2.05	2.00	80	891
365	75	83.7	1775	0.76	0.83	0.88	93.9	94.8	95.4	542.5	300	2.05	2.00	80	957
405	100	111.6	1775	0.79	0.86	0.88	94.4	95.3	95.4	725	400	1.75	2.00	83	1319
444	125	136.4	1780	0.82	0.87	0.90	95.6	95.5	95.4	907.5	499	1.50	2.00	86	1645
445	150	163.0	1780	0.82	0.88	0.90	94.8	95.7	95.8	1085	598	1.50	2.00	86	1773
447	200	214.0	1785	0.83	0.89	0.91	95.2	95.9	96.2	1450	799	1.45	2.00	86	2320
449	250	270.5	1785	0.81	0.89	0.90	95.4	95.8	96.2	1825	998	1.25	1.75	89	2602
449	300	328.2	1785	0.81	0.90	0.89	95.3	95.6	96.2	2200	1198	1.25	1.75	92	2800

## Technical Specifications-Design B (2/2)

Motor Type	Rated Power	Current	Rated Speed	Power Factor			Efficiency			Locked Current	Rated Torque	Locked Torque/ Rated Torque	Maximum Torque/ Rated Torque	Sound LP	Weight
	HP	A (460v)	r/m	cosφ			η%			A	N.m	T <sub>L</sub> /T <sub>N</sub>	T <sub>b</sub> /T <sub>N</sub>	dB(A)	kg
				50%	75%	100%	50%	75%	100%						
1200min <sup>-1</sup> (6 Pole)															
145	1	1.6	1150	0.50	0.62	0.72	81.6	84.3	82.5	15	6.1	2.20	2.65	55	60
182	1.5	2.2	1160	0.54	0.66	0.74	85.4	87.8	87.5	20	9.1	2.05	2.50	56	104
184	2	2.9	1155	0.54	0.67	0.74	85.9	88.3	88.5	25	12.2	2.35	2.40	56	112
213	3	4.2	1170	0.55	0.67	0.75	86.3	88.5	89.5	32	18.2	2.00	2.30	58	198
215	5	6.6	1165	0.61	0.72	0.79	88.4	89.9	89.5	46	30.5	1.90	2.15	58	221
254	7.5	9.4	1170	0.64	0.75	0.82	89.5	91.1	91.2	63.5	45.4	1.90	2.05	60	315
256	10	12.6	1170	0.65	0.76	0.82	90.1	91.3	91.0	81	60.7	2.00	2.00	60	331
284	15	18.7	1170	0.65	0.76	0.82	90.9	92.1	91.7	116	90.4	2.05	2.00	63	456
286	20	24.9	1170	0.66	0.77	0.82	91.4	92.5	91.7	145	121	2.15	2.00	63	490
324	25	30.7	1175	0.65	0.76	0.82	92.1	93.1	93.0	182.5	150	2.10	2.00	64	662
326	30	36.8	1175	0.67	0.77	0.82	92.5	93.4	93.0	217.5	180	2.15	2.00	64	677
364	40	46.3	1180	0.74	0.82	0.86	93.0	94.0	94.1	290	240	2.10	2.00	66	886
365	50	56.6	1180	0.75	0.83	0.88	93.4	94.2	94.3	362.5	301	2.05	2.00	66	904
404	60	68.4	1185	0.75	0.83	0.87	93.6	94.6	94.5	435	361	2.05	2.00	68	1206
405	75	85.4	1185	0.77	0.84	0.87	93.8	94.7	94.5	542.5	452	2.00	2.00	68	1281
444	100	113.3	1185	0.76	0.84	0.87	94.3	95.2	95.0	725	601	1.85	2.00	74	1676
445	125	140.1	1185	0.78	0.85	0.88	94.5	95.3	95.2	907.5	749	1.75	2.00	74	1779
447	150	166.7	1185	0.78	0.85	0.88	94.9	95.7	95.8	1085	900	1.95	2.00	74	2474
449	200	219.7	1185	0.77	0.85	0.89	95.1	95.7	95.8	1450	1202	1.90	2.00	78	2639
449	250	287.6	1185	0.78	0.86	0.85	94.9	95.6	95.8	1825	1503	1.75	1.75	82	2796

## Technical Specifications-Design C

Motor Type	Rated Power	Current	Rated Speed	Power Factor			Efficiency			Locked Current	Rated Torque	Locked Torque/ Rated Torque	Maximum Torque/ Rated Torque	Sound LP	Weight
	HP	A (460v)	r/m	cosφ			η%			A	N.m	T <sub>L</sub> /T <sub>N</sub>	T <sub>b</sub> /T <sub>N</sub>	dB(A)	kg
				50%	75%	100%	50%	75%	100%						
1800min <sup>-1</sup> (4 Pole)															
143	1	1.6	1755	41.2	60.0	68.0	81.50	85.00	85.90	15	2.99	3.32	3.96	67	57
145	1.5	2.2	1750	49.0	61.0	69.5	83.00	86.00	87.00	20	4.49	3.30	3.83	66	60
145	2	3.1	1740	47.4	60.6	69.0	86.20	87.70	87.50	22	6.07	3.42	3.35	67	64
182	3	3.7	1765	70.0	80.0	83.0	88.00	90.00	90.30	32	8.93	2.90	3.00	66	115
184	5	6.2	1750	72.0	81.0	83.5	89.00	90.00	90.00	47	15	2.81	2.98	66	119
213	7.5	9.0	1765	63.0	74.0	80.0	90.00	91.00	91.70	62	22.3	2.75	3.05	67	214
215	10	12.7	1760	64.2	75.2	80.1	92.10	92.60	92.20	78	29.5	2.59	3.19	68	221
254	15	19.2	1775	62.0	73.0	78.8	91.00	92.00	92.70	117	44.4	2.36	2.67	68	355
256	20	25.0	1755	65.3	75.5	79.6	93.00	93.70	93.40	132	59.0	2.34	2.51	69	381
284	25	31.0	1775	67.0	77.0	81.3	92.00	93.00	93.60	182	73.4	2.38	1.75	72	518
286	30	37.0	1775	68.5	78.2	82.0	93.00	93.90	93.80	204	88.5	2.44	2.56	65	520
324	40	48.0	1775	67.0	77.0	82.9	93.00	94.00	94.40	289	119	2.38	2.48	72	677
326	50	60.0	1775	70.9	79.3	82.1	95.1	95.1	94.5	345	148	2.25	2.37	70	728
364	60	68.0	1785	66.0	77.0	82.0	45.00	58.00	72.00	434	178	2.43	2.51	74	891
365	75	94.0	1785	65.5	75.3	78.4	95.60	96.00	95.80	523	221	2.21	2.30	75	957
405	100	124.0	1785	72.7	78.5	79.2	95.90	96.00	95.50	725	294	2.14	2.12	74	1319
444	125	142.0	1785	83.0	86.0	86.6	95.00	95.00	95.40	887	368	2.25	2.05	72	1645
445	150	168.0	1785	83.0	87.0	87.3	95.70	96.00	95.80	1095	441	2.79	2.10	73	1773
447	200	223.0	1790	82.7	86.6	87.0	96.60	96.90	96.50	1297	587	2.40	2.08	74	2320
1200min <sup>-1</sup> (6 Pole)															
145	1	1.7	1155	45.8	59.3	68.6	80.90	83.60	83.80	10	4.43	2.97	3.17	65	60
182	1.5	2.3	1180	50.0	62.0	69.0	84.00	87.00	87.90	17	9.10	2.90	3.39	68	104
184	2	3.3	1180	42.8	55.2	63.3	86.00	88.20	88.50	19	8.95	2.78	2.71	69	112
213	3	5.0	1184	46.0	60.0	63.0	87.00	89.00	89.80	33	13.4	2.80	3.69	68	198
215	5	7.7	1180	46.9	59.6	67.5	87.40	89.50	90.00	45	22.1	3.34	3.37	69	221
254	7.5	11.0	1184	50.0	63.0	70.2	88.00	90.00	91.00	65	33.4	2.41	2.74	69	315
256	10	15.0	1185	49.8	61.9	68.6	90.60	91.70	91.50	80	44.3	2.52	2.65	66	331
284	15	19.5	1185	58.0	70.0	77.4	90.00	91.00	92.00	114	65.4	2.20	2.57	70	456
286	20	26.0	1185	57.0	70.0	77.4	90.00	91.00	92.20	145	89.2	2.29	2.69	71	490
324	25	33.0	1185	52.0	65.0	75.7	91.00	92.00	93.00	179	110	2.55	2.51	69	662
326	30	36.8	1185	53.0	66.0	76.4	91.00	93.00	93.10	215	133	2.4	2.36	70	677
364	40	48.0	1190	72.0	80.0	83.7	93.00	94.00	94.10	290	178	2.09	2.52	70	886
365	50	62.0	1190	66.6	76.3	80.4	94.30	95.00	94.90	357	221	2.05	2.50	71	904
404	60	81.0	1195	58.2	68.6	73.1	94.10	95.00	95.10	437	264	2.85	2.35	71	1206
405	75	93.0	1193	65.0	75.0	79.7	93.00	94.00	94.80	560	330	2.13	2.53	71	1281
444	100	123.0	1192	68.0	77.0	80.3	94.00	95.00	95.00	729	441	2.19	2.32	74	1676
445	125	152.0	1192	70.0	79.0	80.9	94.00	95.00	95.00	852	551	2.05	2.12	74	1779
447	150	181.0	1193	63.0	78.0	80.8	94.00	96.00	95.80	1061	660	2.16	2.21	76	2474
449	200	246.0	1192	68.2	76.5	79.3	95.90	96.30	96.00	1376	881	2.30	2.09	77	2639

## Technical Specifications-Design D

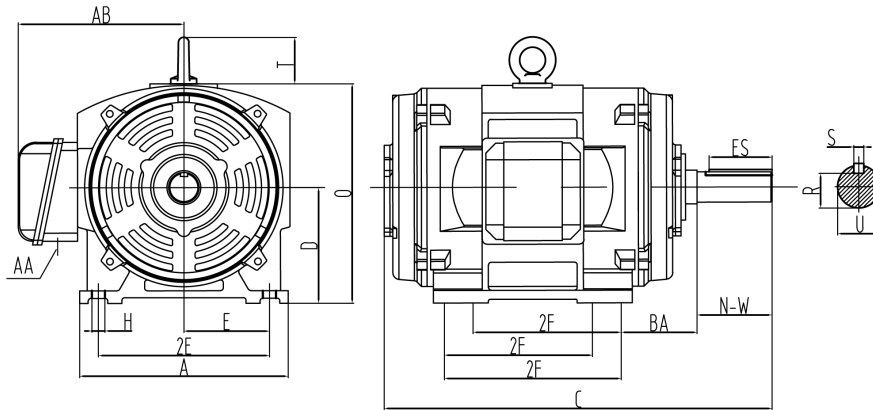
Motor Type	Rated Power	Current	Rated Speed	Power Factor			Efficiency			Locked Current	Rated Torque	Locked Torque/ Rated Torque	Maximum Torque/ Rated Torque	Sound LP	Weight
	HP	A (460v)	r/m	cosφ			η%			A	N.m	T <sub>L</sub> /T <sub>N</sub>	T <sub>D</sub> /T <sub>N</sub>	dB(A)	kg
	1200min <sup>-1</sup> (6 Pole)														
215	5	7.5	1130	0.484	0.615	0.701	88.4	89.9	89.5	39.4	22.9	2.36	3.34	58	221
254	7.5	10.5	1120	0.704	0.808	0.856	86.0	85.5	83.7	46.8	35.6	2.61	2.92	60	315
256	10	13.5	1120	0.542	0.677	0.759	84.9	85.8	85.2	85.8	46.4	3.78	4.10	60	331
284	15	20.0	1110	0.578	0.710	0.785	84.5	84.8	83.6	110.9	70.3	3.09	3.31	63	456
286	20	26.0	1105	0.626	0.750	0.816	85.7	85.6	84.2	142.9	94.1	3.02	3.28	63	490
324	25	32.0	1140	0.631	0.750	0.811	86.0	87.0	86.5	181.4	114.6	2.72	3.12	64	662
326	30	39.0	1040	0.655	0.768	0.824	86.7	87.3	86.6	209.6	137.8	2.63	3.02	64	677
364	40	53.0	1130	0.668	0.778	0.833	88.0	88.7	88.3	295.3	183.1	2.81	3.29	66	886
365	50	64.0	1135	0.688	0.793	0.843	88.4	89.1	88.6	359.9	229	2.77	3.23	66	904
404	60	75.5	1140	0.701	0.802	0.848	88.5	89.1	88.6	409.1	275.5	2.63	3.07	68	1206
405	75	91.0	1140	0.699	0.801	0.849	88.8	89.5	89.0	534.8	343.8	2.80	3.25	68	1281
444	100	113.3	1140	0.703	0.804	0.851	88.7	89.3	89.5	724	468	2.60	3.25	68	1676

## Bearings

Frame	Driving End	Non-driving End	Pole
140T	6205 2Z/C3	6205 2Z/C3	2-6P
180T	6306 2Z/C3	6306 2Z/C3	2-6P
210T	6308 2Z/C3	6308 2Z/C3	2-6P
250T	6309/C3	6309/C3	2-6P
280T	6310/C3	6310/C3	2-6P
320T	6312/C3	6312/C3	2-6P
360T	6314/C3	6314/C3	2-6P
400T	6314/C3	6314/C3	2P
400T	6316/C3	6316/C3	4-6P
444/5T	6314/C3	6314/C3	2P
444/5T	NU318/C3	6318/C3	4-6P
447/9T	6314/C3	6314/C3	2P
447/9T	NU319/C3	6319/C3	4P
447/9T	NU322/C3	6319/C3	6P

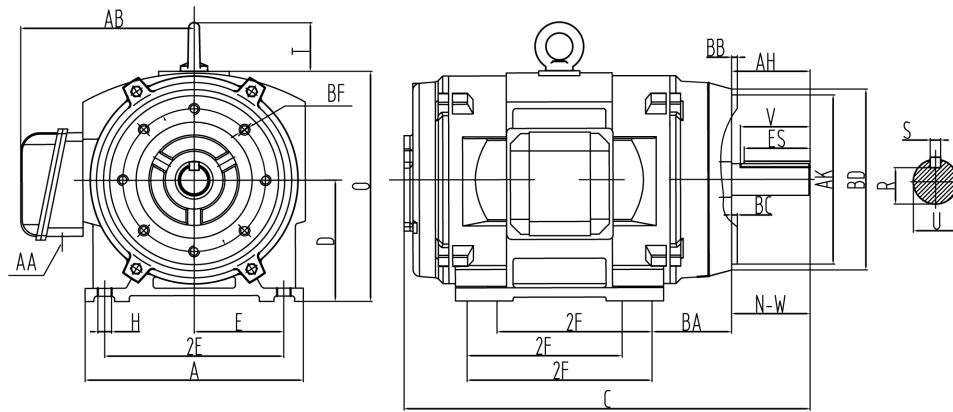


# Mounting and Overall Dimensions for Foot-mounted Motors with Single Straight-shaft Extension



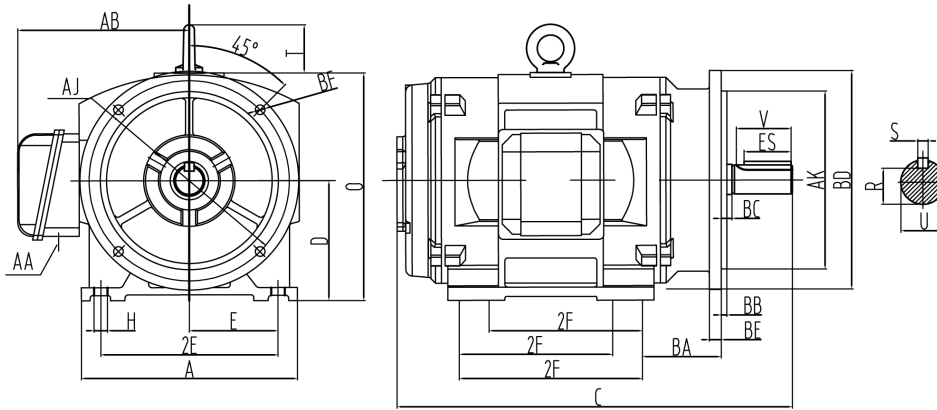
Frame Size	A Max	C	D	2E	2F	BA	H	N-W	O	R	S	T	U	ES Min	AA NPT	AB		
143T	7.00	12.99	3.5	5.5	4.00	2.25	0.34	2.25	6.89	0.771	0.188	1.421	0.875	1.41	0.75	6.10		
145T					5.00													
182T	7.48	15.15	4.5	7.5	4.50	2.75	0.41	2.75	9.17	0.986	0.250	1.700	1.125	1.78	0.75	7.87		
184T					5.50													
213T	10.24	20.47	5.3	8.5	5.50	3.50	0.41	3.38	10.74	1.201	0.312	1.700	1.375	2.41	1.00	8.66		
215T					7.00													
254T	12.20	24.90	6.3	10.0	8.25	4.25	0.53	4.00	12.90	1.416	0.375	2.047	1.625	2.91	1.25	10.24		
256T					10.00													
284T	13.74	28.51	7.0	11.0	9.50	4.75	0.53	4.62	14.33	1.591	0.500	2.047	1.875	3.28	1.50	12.20		
284TS		28.51			3.25					0.375	1.625		1.91					
286T		29.88			4.62	0.500				1.875	3.28							
286TS		29.88			3.25	0.375				1.625	1.91							
324T	15.28	26.60	8.0	12.5	10.50	5.25	0.66	5.25	16.82	1.845	0.500	2.400	2.125	3.91	2.00	13.39		
324TS		26.60			3.75			1.591		1.875			2.03					
326T		28.10			5.25	1.845		2.125		3.91								
326TS		28.10			3.75	1.591		1.875		2.03								
364T	17.13	37.27	9.0	14.0	11.25	5.88	0.66	5.88	17.46	2.021	0.625	2.835	2.375	4.28	3.00	17.32		
364TS		35.14			3.75			1.591		0.500	1.875		2.03					
365T		37.27			5.88	2.021		0.625		2.375	4.28							
365TS		35.14			3.75	1.591		0.500		1.875	2.03							
404T	19.06	38.27	10.0	16.0	12.25	6.63	0.81	7.25	21.08	2.450	0.750	2.835	2.875	5.65	3.00	18.70		
404TS		35.27			4.25			1.845		0.500	2.125		2.78					
405T		39.77			7.25	2.450		0.750		2.875	5.65							
405TS		36.77			4.25	1.845		0.500		2.125	2.78							
444T	22.52	81.14	11.0	18.0	14.50	7.50	0.81	8.50	23.4	2.880	0.875	2.835	3.375	6.91	3.00	19.68		
444TS-2		39.89			4.75			2.021		0.625	2.375		3.03					
445T		81.14			8.50	2.880		0.875		3.375	6.91							
445TS-2		39.89			4.75	2.021		0.625		2.375	3.03							
447T		83.14	20.00	7.50	0.81	7.50		8.50	23.4	2.880	0.875		2.835	3.375	6.91	3.00	3.00	22.80
447TS-2		41.89						4.75		2.021	0.625			2.375	3.03			
449T		83.14						8.50		2.880	0.875			3.375	6.91			
449TS-2		41.89						4.75		2.021	0.625			2.375	3.03			
505US	24.72	46.09	12.5	20	18	8.5	0.94	4.75	27.00	2.450	0.750	2.835	2.875	3.00	4.00	24.30		
505UZ	24.72	52.96	12.5	20	18	8.5	0.94	11.62	27.00	3.309	1.000	2.835	3.875	10.00	4.00	24.30		
5010USS	24.72	50.42	12.5	20	32	8.5	0.94	4.75	27.00	2.021	0.625	2.835	2.375	2.375	4.00	24.30		
5010US	24.72	50.42	12.5	20	32	8.5	0.94	6.25	27.00	3.134	0.875	2.835	3.625	5.00	4.00	24.30		
5010UZ	24.72	57.29	12.5	20	32	8.5	0.94	11.62	27.00	3.817	1.000	2.835	4.375	10.00	4.00	24.30		
586T	24.72	66.34	12.5	23	25	10	1.18	6.25	34.17	3.817	1.000	2.835	4.375	8.661	2-NPT3	22.22		
587T	24.72	78.15	12.5	23	25	10	1.18	11.62	34.17	3.817	1.000	2.835	4.375	8.661	2-NPT3	22.22		
5810U2	29.92	71.68	14.5	23	36/32	10	1.20	6.25	30.76	3.134	0.875	2.835	3.625	5.00	4-NPT2	31.10		
5810U2	29.92	76.60	14.5	23	36/32	10	1.20	11.62	30.76	4.550	1.250	2.835	5.250	10.00	4-NPT2	31.10		

## Mounting and Overall Dimensions for C Face-mounted or Footless Motors



Frame Size	A Max	C	D	2E	2F	BA	H	N-W	O	R	S	T	U	ES Min	AA NPT	AB	AJ	AK	BB	BC	BD	No.	BF																																																																		
143T		12.99	3.50	5.5	4.00	2.75	0.34	2.25	6.89	0.771	0.188	1.421	0.875	1.41	0.75	6.10	5.875	5.875	0.16	+0.12	6.5	4	3/8-16																																																																		
145T					5.00																																																																																				
182T		15.15	4.50	7.5	4.50	3.50	0.41	2.75	9.17	0.986	0.250	1.700	1.125	1.78	0.75	7.87	7.25	7.25	0.25	+0.12	9	4	1/2-13																																																																		
184T					5.50																																																																																				
213T		20.47	5.25	8.5	5.50	4.25	3.38	10.74	1.201	0.312	1.700	1.375	2.41	1.00	8.66	7.25	7.25	0.25	+0.25	9	4	1/2-13																																																																			
215T					7.00																																																																																				
254T	12.2	24.90	6.25	10.0	8.25	4.75	4.00	12.9	1.416	0.375	1.700	1.625	2.91	1.25	10.24	7.25	7.25	0.25	+0.25	10	4	1/2-13																																																																			
256T					10.00																																																																																				
284T	13.74	28.51	7.00	11.0	9.50	4.75	0.53	4.62	14.33	1.591	0.500	2.047	1.875	3.28	1.5	12.20	9	9	0.25	+0.25	11.25	4	1/2-13																																																																		
284TS					3.25																			1.416	0.375	1.625	1.91	9	9	0.25	+0.25	11.25	4	1/2-13																																																							
286T					4.62																														1.591	0.500	1.875	3.28	9	9	0.25	+0.25	11.25	4	1/2-13																																												
286TS					3.25																																									1.416	0.375	1.625	1.91	9	9	0.25	+0.25	11.25	4	1/2-13																																	
324T	15.28	26.60	8.00	12.5	10.50	5.25	0.66	5.25	16.82	1.845	0.500	2.400	2.125	3.91	2.00	13.39	11	11	0.25	+0.25	14	4	5/8-11																																																																		
324TS					3.75																			1.591	0.375	1.875	2.03	11	11	0.25	+0.25	14	4	5/8-11																																																							
326T					5.25																														1.845	0.500	2.125	3.91	11	11	0.25	+0.25	14	4	5/8-11																																												
326TS					3.75																																									1.591	0.375	1.875	2.03	11	11	0.25	+0.25	14	4	5/8-11																																	
364T	17.13	37.27	9.00	14.0	11.25	5.88	0.66	5.88	17.46	2.021	0.625	2.835	2.375	4.28	3.00	17.32	11	11	0.25	+0.25	14	8	5/8-11																																																																		
364TS					3.75																			1.591	0.500	1.875	2.03	11	11	0.25	+0.25	14	8	5/8-11																																																							
365T					5.88																														2.021	0.625	2.375	4.28	11	11	0.25	+0.25	14	8	5/8-11																																												
365TS					3.75																																									1.591	0.500	1.875	2.03	11	11	0.25	+0.25	14	8	5/8-11																																	
404T	19.06	38.27	10.00	16.0	12.25	6.63	0.66	7.25	21.08	2.450	0.750	2.835	2.875	5.65	3.00	18.70	11	11	0.25	+0.25	15.5	8	5/8-11																																																																		
404TS					4.25																			1.845	0.500	2.125	2.78	11	11	0.25	+0.25	15.5	8	5/8-11																																																							
405T					7.25																														2.450	0.750	2.875	5.65	11	11	0.25	+0.25	15.5	8	5/8-11																																												
405TS					4.25																																									1.845	0.500	2.125	2.78	11	11	0.25	+0.25	15.5	8	5/8-11																																	
444T	22.52	81.14	11.00	18.0	14.50	7.50	0.81	8.50	23.4	2.880	0.875	2.835	3.375	6.91	3.00	19.68	14	14	0.25	+0.25	18	8	5/8-11																																																																		
444TS-2					4.75																			2.021	0.625	2.375	3.03	14	14	0.25	+0.25	18	8	5/8-11																																																							
445T					8.50																														2.880	0.875	3.375	6.91	14	14	0.25	+0.25	18	8	5/8-11																																												
445TS-2					4.75																																									2.021	0.625	2.375	3.03	14	14	0.25	+0.25	18	8	5/8-11																																	
447T					8.50																																																				2.880	0.875	3.375	6.91	14	14	0.25	+0.25	18	8	5/8-11																						
447TS-2					4.75																																																															2.021	0.625	2.375	3.03	14	14	0.25	+0.25	18	8	5/8-11											
449T					8.50																																																																										2.880	0.875	3.375	6.91	14	14	0.25	+0.25	18	8	5/8-11
449TS-2					4.75																																																																																				

### Mounting and Overall Dimensions for D Face-mounted or Footless Motors



Frame Size	A Max	C	D	2E	2F	BA	H	N-W	O	R	S	T	U	ES Min	AA NPT	AB	AJ	AK	BB	BC	BD	No.	BF											
143T		12.99	3.50	5.5	4.00	2.75	0.34	2.25	6.89	0.771	0.188	1.421	0.875	1.41	0.75	6.10	5.875	5.875	0.16	+0.12	6.5	4	3/8-16											
145T					5.00																													
182T		15.15	4.50	7.5	4.50	3.50	0.41	2.75	9.17	0.986	0.250	1.700	1.125	1.78	0.75	7.87	7.25	7.25	0.25	+0.12	9	4	1/2-13											
184T					5.50																													
213T		20.47	5.25	8.5	5.50	4.25	3.38	10.74	1.201	0.312	1.700	1.375	2.41	1.00	8.66	7.25	7.25	0.25	+0.25	9	4	1/2-13												
215T					7.00																													
254T	12.2	24.90	6.25	10.0	8.25	4.75	4.00	12.9	1.416	0.375	1.700	1.625	2.91	1.25	10.24	7.25	7.25	0.25	+0.25	10	4	1/2-13												
256T					10.00																													
284T	13.74	28.51	7.00	11.0	9.50	4.75	0.53	4.62	14.33	1.591	0.500	2.047	1.875	3.28	1.5	12.20	9	9	0.25	+0.25	11.25	4	1/2-13											
284TS					3.25																			1.416	0.375	1.625	1.91	9	9	0.25	+0.25	11.25	4	1/2-13
286T					4.62																			1.591	0.500	1.875	3.28	9	9	0.25	+0.25	11.25	4	1/2-13
286TS					3.25																			1.416	0.375	1.625	1.91	9	9	0.25	+0.25	11.25	4	1/2-13
324T	15.28	26.60	8.00	12.5	10.50	5.25	0.66	5.25	16.82	1.845	0.500	2.400	2.125	3.91	2.00	13.39	11	11	0.25	+0.25	14	4	5/8-11											
324TS					3.75			1.591																1.875	2.03	11	11	0.25	+0.25	14	4	5/8-11		
326T					5.25			1.845																2.125	3.91	11	11	0.25	+0.25	14	4	5/8-11		
326TS					3.75			1.591																1.875	2.03	11	11	0.25	+0.25	14	4	5/8-11		
364T	17.13	37.27	9.00	14.0	11.25	5.88	0.66	5.88	17.46	2.021	0.625	2.835	2.375	4.28	3.00	17.32	11	11	0.25	+0.25	14	8	5/8-11											
364TS					3.75			1.591																0.500	1.875	2.03	11	11	0.25	+0.25	14	8	5/8-11	
365T					5.88			2.021																0.625	2.375	4.28	11	11	0.25	+0.25	14	8	5/8-11	
365TS					3.75			1.591																0.500	1.875	2.03	11	11	0.25	+0.25	14	8	5/8-11	
404T	19.06	38.27	10.00	16.0	12.25	6.63	0.66	7.25	21.08	2.450	0.750	2.835	2.875	5.65	3.00	18.70	11	11	0.25	+0.25	15.5	8	5/8-11											
404TS					4.25			1.845																0.500	2.125	2.78	11	11	0.25	+0.25	15.5	8	5/8-11	
405T					7.25			2.450																0.750	2.875	5.65	11	11	0.25	+0.25	15.5	8	5/8-11	
405TS					4.25			1.845																0.500	2.125	2.78	11	11	0.25	+0.25	15.5	8	5/8-11	
444T	22.52	81.14	11.00	18.0	14.50	7.50	0.81	8.50	23.4	2.880	0.875	2.835	3.375	6.91	3.00	19.68	14	14	0.25	+0.25	18	8	5/8-11											
444TS-2					4.75			2.021																0.625	2.375	3.03	14	14	0.25	+0.25	18	8	5/8-11	
445T					8.50			2.880																0.875	3.375	6.91	14	14	0.25	+0.25	18	8	5/8-11	
445TS-2					4.75			2.021																0.625	2.375	3.03	14	14	0.25	+0.25	18	8	5/8-11	
447T	22.52	39.89	11.00	20.00	16.50	7.50	0.81	8.50	23.4	2.880	0.875	2.835	3.375	6.91	3.00	22.80	14	14	0.25	+0.25	18	8	5/8-11											
447TS-2					4.75			2.021																0.625	2.375	3.03	14	14	0.25	+0.25	18	8	5/8-11	
449T					8.50			2.880																0.875	3.375	6.91	14	14	0.25	+0.25	18	8	5/8-11	
449TS-2					4.75			2.021																0.625	2.375	3.03	14	14	0.25	+0.25	18	8	5/8-11	



#### **Fuzhou Wonder Electric Co., Ltd.**

**Add:** No. 120, Changyang Road, Fuzhou Development Zone, Fujian, China

**Website:** [www.wonderfz.com](http://www.wonderfz.com)

**Email:** [wonder@wonderfz.com](mailto:wonder@wonderfz.com)

**Tel:** +86-591-83998899

**Fax:** +86-591-83998666

#### **Wonder Electric Co., Ltd.**

**Add:** No. 239, Xingda Road, Fuan Electrical Machinery and Appliances Zone, Fujian, China

**Website:** [www.wonder-cn.com](http://www.wonder-cn.com)

**Email:** [wonder@dayu-casting.com](mailto:wonder@dayu-casting.com)

**Tel:** +86-593-6379666 6379988

**Fax:** +86-593-6379999

#### **Wonder Electric Motor (M) Sdn. Bhd.**

**Add:** No.11, Jalan Meranti Jaya 16, Taman Meranti Jaya Industrial Park, 47120 Puchong, Selangor, Malaysia

**Email:** [sales@wonderelectric.com.my](mailto:sales@wonderelectric.com.my)

**Tel:** +603-8063-9399

**Fax:** +603-8060-8399

#### **Wonder Electric Motor (S) Pte. Ltd.**

**Add:** No. 111, Neythal Road, Singapore, 628598

**Email:** [wondersg@singnet.com.sg](mailto:wondersg@singnet.com.sg)

**Tel:** +65-6265-8698

**Fax:** +65-6265-6589